

THIS DRAWING IS UNPUBLISHED.

RELEASED FOR PUBLICATION

ALL RIGHTS RESERVED.

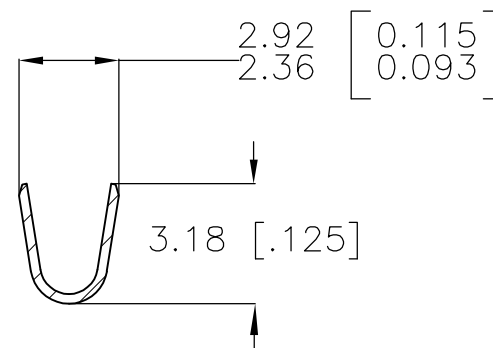
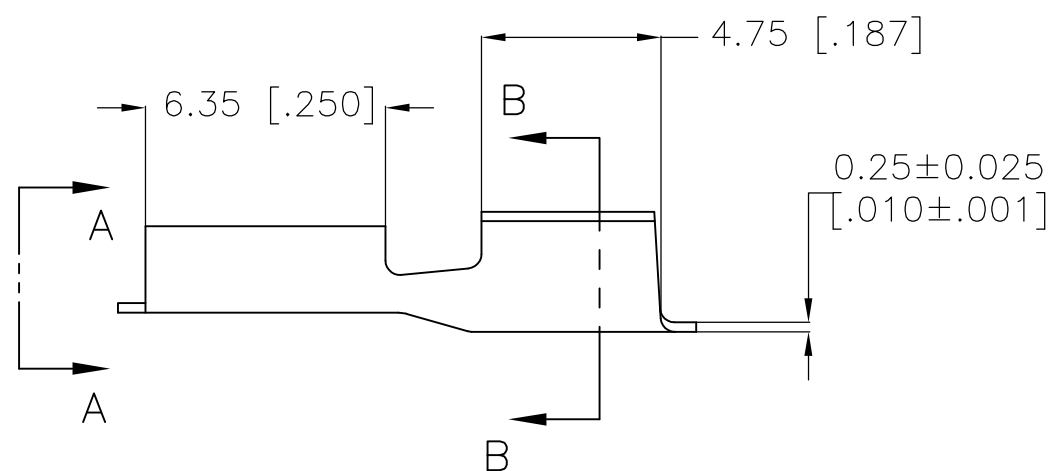
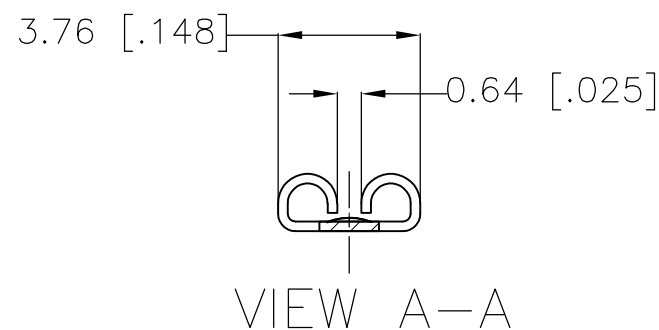
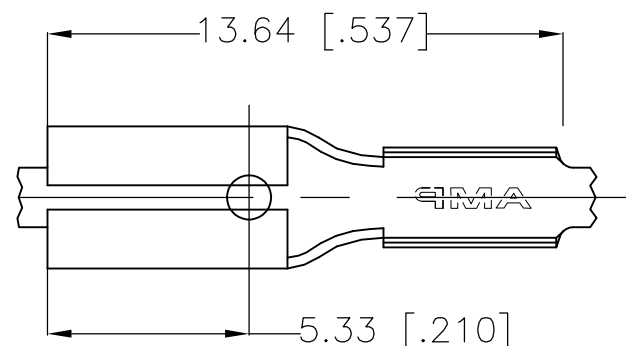
© COPYRIGHT - By -

LOC AF DIST 50

REVISIONS

P	LTR	DESCRIPTION	DATE	DWN	APVD
	D1	REVISED PER ECR-14-004075	24MAR2014	NK	RL

- △1 CONTINUOUS STRIP ON REELS
- △2 REELED ON PLASTIC REELS
- △3 FINISH LEAD-FREE, MATTE TIN OVER NICKEL



SECTION B-B

[20-16] AWG	0.41±0.025 [.016±.001]	△3	61457-3
		PRE-TIN	△2 61457-2
		PRE-TIN	61457-1
WIRE SIZE	MATING TAB THK	FINISH	PART NO.

THIS DRAWING IS A CONTROLLED DOCUMENT.		DWN JR RUTH 30NOV00	STE TE Connectivity		
DIMENSIONS: mm [INCHES]		CHK MS FEHER 30NOV00			
TOLERANCES UNLESS OTHERWISE SPECIFIED:		APVD P DESANTIS 30NOV00	NAME RECEPTACLE, FASTON, 2.79 [.110] SERIES		
0 PLC ± -		PRODUCT SPEC -	SIZE A3	CAGE CODE 00779	DRAWING NO C-61457
1 PLC ± -		APPLICATION SPEC -	RESTRICTED TO -		
2 PLC ± 0.38 [.015]		WEIGHT -	SCALE 5:1 SHEET 1 OF 1 REV D1		
3 PLC ± -		CUSTOMER DRAWING			
4 PLC ± -					
ANGLES ± -					
MATERIAL BRASS	FINISH SEE TABLE				